



Dell UltraSharp 24 Wireless Connect Monitor U2417HWi



Work productively — and wirelessly — on the Dell UltraSharp 24 Wireless Connect Monitor

Improve work efficiency with wireless convenience

Get wireless productivity plus great performance and convenience with this 23.8" Dell UltraSharp Wireless Connect monitor.

- Wirelessly connect a Windows laptop[†] and Android smartphone^{††} or tablet and display content simultaneously on a single large screen.
- Edit content from a Windows laptop[†] and Android smartphone^{††} or tablet simultaneously with a single keyboard and mouse.
- Conveniently transition tasks wirelessly from mobile devices to larger monitor screen and back again with ease.

Superb viewing experience

Sharp images, consistent colours and great flexibility make working with this monitor easy.

- Experience superb Full HD screen clarity with consistent colours across an ultrawide 178°/178° viewing angle.
- Enjoy an almost borderless view thanks to ultrathin bezels.
- Work the way you like with fully flexible features like tilt, pivot, swivel and height-adjustable stand.

Unmatched reliability

Comes with Dell's high reliability promise.

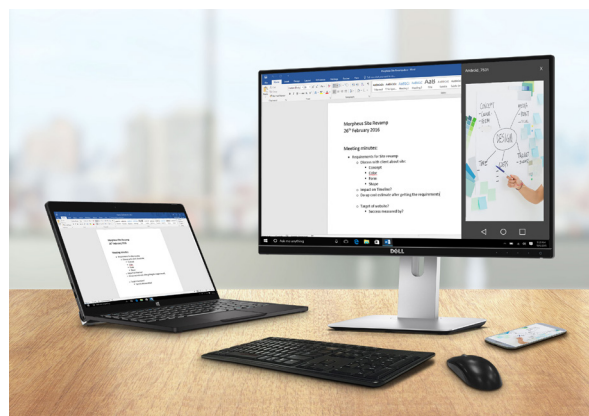
- Enjoy peace of mind from Dell's commitment to quality and customer satisfaction with the Premium Panel[‡] Guarantee.
- Minimise downtime with Dell's Advanced Exchange Service⁴.
- Experience great reliability from the #1 monitor brand worldwide*.



Upper right corner:

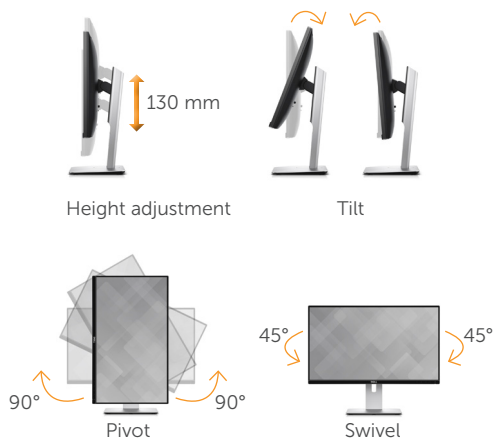
Multi-task — Work on office applications while responding to a customer's instant message.

Above: **Collaborate** — Update an Excel file by referencing files from a co-worker's laptop and tablet.

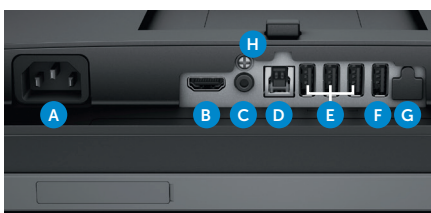


Transition seamlessly — Conveniently transition tasks wirelessly from mobile devices to larger monitor screen and back.

Easily adjust the panel to your preferred viewing position.



Connectors



- A** AC power
- B** HDMI
- C** Audio line-out
- D** USB upstream
- E** USB downstream ports
- F** USB downstream with Power Charging
- G** Micro-B port (for service only)
- H** Stand lock feature

What's in the box?

Components

- Monitor panel
- Stand

Cables

- Power cable
- HDMI cable
- USB 3.0 upstream cable

Documentation

- Factory Color calibration report
- Drivers and documentation media (CD)
- Quick Setup Guide
- Safety and regulatory information
- Wireless safety and regulatory information

Dell UltraSharp 24 Wireless Connect Monitor | U2417HWi

Display

| | |
|---|---|
| Model number | U2417HWi |
| Viewable image size (diagonal) | 60.47 cm (23.8 inches) |
| Active display area | |
| Horizontal | 527.04 mm (20.75 inches) |
| Vertical | 296.46 mm (11.67 inches) |
| Maximum resolution | Full HD 1920 x 1080 at 60 Hz |
| Aspect ratio | 16:9 |
| Pixel pitch | 0.2745 mm |
| Brightness (typical) | 250 cd/m ² (min to max) |
| Colour gamut (typical) | 96% sRGB (deltaE < 4) |
| Colour depth | 16.7 million colours |
| Contrast ratio (typical) | 1,000:1 (typical) |
| Dynamic contrast ratio (typical) | 2 Million:1 (DCR) |
| Viewing angle (typical) (vertical/horizontal) | 178°/178° |
| Response time | 8 ms with overdrive (typical) |
| Panel technology, surface | In-plane switching, Anti-Glare with 3H hardness |
| Backlight | LED |
| Bezel colour | Black |

Connectivity

| | |
|-----------------------|---|
| Connectors | HDMI (1.4), 1 x USB 3.0 upstream, 4 x USB 3.0 ³ downstream, Audio line-out |
| Wireless connectivity | WiFi Direct, Screencast |

Design features

| | |
|-----------------------|---|
| Stand | Tilt, height adjustable stand, swivel, pivot clockwise and counter-clockwise, and built-in cable management |
| Security | Security lock slot (security lock not included) |
| VESA mounting support | 100 mm x 100 mm |

Power

| | |
|--|---|
| AC input voltage/frequency/current (typical) | 100 to 240 VAC/50 or 60 Hz ± 3 Hz/1.5 A (maximum) |
| Power consumption (normal operation) | 25W (typical); 18W (ENERGY STAR®) |
| Power consumption (off mode) | <0.3 W |

Dimensions (with stand)

| | |
|--------------------------------|---|
| Height (compressed ~ extended) | 355.8 mm (14.00 inches) ~ 485.8 mm (19.12 inches) |
| Width | 539.1 mm (21.23 inches) |
| Depth | 185.0 mm (7.28 inches) |

Weight

| | |
|--------------------------------|--------------------|
| Weight (panel only – no stand) | 3.28 kg (7.23 lb) |
| Weight (with stand) | 5.42 kg (11.95 lb) |
| Shipping weight | 7.66 kg (16.88 lb) |

Standard service plan

- 3 year Advanced Exchange Service⁴ & Limited Hardware Warranty⁵
- Premium Panel Guarantee¹

Environmental compliance

ENERGY STAR®, EPEAT® Gold², TCO Certified Displays, China Energy Label, WEEE, ErP(EuP) Standards, Korea E-Standby

Thank you for making Dell Monitors

#1 worldwide*

For more information visit www.dell.com/monitors



*Dell monitors are #1 Worldwide for 2 consecutive years. Source: NPD DisplaySearch Quarterly Desktop Monitor Shipment and Forecast Report (2013 and 2014). Ad#G15000115

**Registered in US and Canada only.

¹ Currently supports Win 8.1 and Win 10. Will support Win 7 (from May 2016). Recommends 4th generation i5 or i7 processor.

² Requires Android OS version 5 & above with WiFi Direct & Miracast.

³ In the event you discover even one bright pixel during the Limited Hardware Warranty period, a free panel exchange is guaranteed. (see pixel panel info located on Dell.com web page for complete details): <http://support.dell.com/support/topics/global.aspx/support/kcs/document?docid=414288>

⁴ EPEAT Gold registered in the U.S. EPEAT registration varies by country. See www.epeat.net for registration status by country.

⁵ USB 3.0 does not support graphics output. USB 3.0 rate of data transfer can only be achieved with a computer that supports USB 3.0.

⁶ Advanced Exchange Service: Replacement part/unit dispatched, if needed, following completion of phone/online diagnosis. Fee charged for failure to return defective unit. Availability varies. Other conditions apply.

⁷ For a copy of the Limited Hardware Warranty, write Dell Products, Dell House, The Boulevard, Cain Road, Bracknell, Berkshire, RG12 1LF, UK or see dell.com/warranty.