

# 1061 Router



The 1061 Router is a high-speed router for access to a WAN at rates up to 155 Mbps with a very competitive price / performance ratio.

## 1061 ROUTER

The unit features two independent on-board 100 Base-T LAN interfaces, and an interface slot accepting various TIMs (Interface Modules) with support for PPP, Frame Relay or ATM.

These interfaces include

- Multiple E1 (up to 8) with support for IMA (Inverse Multiplexing over ATM), multi-link PPP or multi-link Frame Relay
- E3/T3 with support for ATM, PPP and Frame Relay
- STM1 with support for ATM
- 10/100 Base-T Ethernet interface with built-in 4 port switch

Fully supported by the TDRE (Total Dynamic Routing Engine), the unit supports advanced features such as IP Quality of Service and extended support for VLANs. With a routing performance of approximately 175 kpps, the 1061 Router is capable to handle any type of multimedia or delay-sensitive traffic. Together with the wide choice of high-speed WAN interfaces, this makes the 1061 Router the ideal access device for connecting large business users, offering managed IP services at the highest possible speeds.

Other typical applications include point-to-point multi-link E1 IP connections, concentration of remote E1 routers over a SDH network, and high-speed routed connectivity over dark fibre.

The 1061 Router comes in a very compact size (1 unit high) and is rack mountable. It fits in 30 cm deep ETSI racks with all connectors and indicators on the front. Combined with its low power consumption it is easily stackable.

The equipment supports different management interfaces on different levels of the network

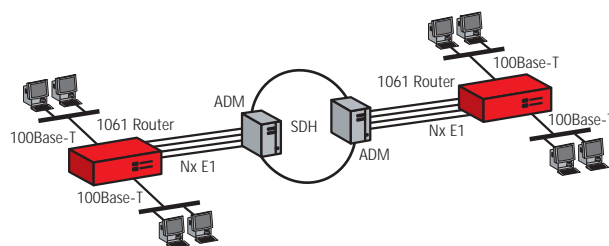
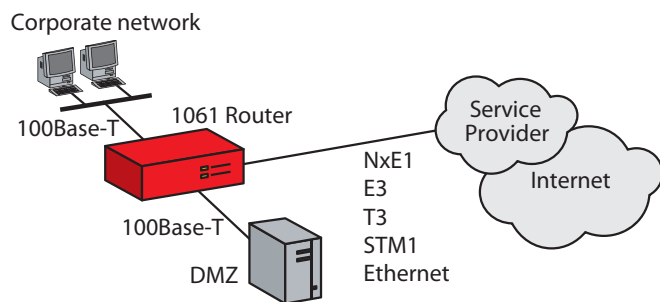
At the local level it is possible to manage the equipment over a management console interface by means of a PC maintenance tool (TMA), a command line interface or a menu driven interface.

On IP level the equipment supports Telnet, SNMP, HTTP and TFTP/FTP. In this way it is possible to integrate the unit in any existing network management environment. Alternatively it can be managed from a TMA Element Management platform.

## FEATURES AND BENEFITS

- High performance access router with STM1 capacity
- Modular interface modules for maximum flexibility
- On-board dual Ethernet connectivity
- Suitable for enterprises and service providers
- 1 unit high compact housing
- Combines IP routing, bridging and VLAN switching in one device
- Full IP QoS support
- Complete management suite





### 1061 ROUTER SPECIFICATIONS

#### LAN Interfaces

- Compliant with IEEE 802.3 10 Mbps HDX/FDX Ethernet
- Compliant with IEEE 802.3u 100 Mbps HDX/FDX Ethernet
- 10/100 Mbps auto-sense
- RJ45 Unshielded Twisted Pair (UTP)
- Number of interfaces: 2

#### Modular interface slot

- Number: 1
- For use in combination with Interface Modules (TIMs)
  - Multiple E1 TIM
    - Support for Frame Relay & Multilink Frame Relay (up to 8 ports)
    - Support for PPP & Multilink PPP (up to 8 ports)
    - Support for ATM & ATM IMA (up to 6 ports)
  - E3/T3 TIM
    - Support for ATM, PPP and Frame Relay
  - STM1 TIM
    - Support for ATM
  - 4 port Ethernet TIM

#### Control interface

- Applicable standards: ITU-T V.24, V.28, EIA/TIA 574
- DCE signals: RXD, TXD, SGND
- Connector: female DB9

#### Clocking

- Slave on STM1, E3 or E1 uplink
- Internal

#### Routing and Bridging Characteristics

- Conform TDRE (Total Dynamic Routing Engine)

#### Routing and Bridging Performance

- Routing & bridging performance: 175 kpps
- Number of Frame Relay DLCIs: 200
- Number of ATM PVCs: 200
- Number of PPPoA terminations: 200
- Number of PPPoE terminations: 100
- Number of IP VPN (IPSEC, L2TP, GRE) tunnels: 25
- Number of VLANs: 200
- Number of bridge-groups: 25

#### Sales Code

- >184364 1061 Router AC/DC
- >183021 Rack mount kit (19" or ETSI)

Sales codes and for Interface Modules (TIMs) can be found in the modular interface datasheet

#### Processor and Memory

- Processor: Motorola 8280
- Processor speed: 450 MHz
- Flash memory: 64 Mbyte
- RAM: 256 MByte

#### Maintenance and management support

- Conform TDRE (Total Dynamic Routing Engine)
- 2 alarm contact outputs (normally open and closed contacts)
- 7 alarm input contacts with common return (normally closed contacts)

#### Front panel Indicators

- PWR: Power indication for each power inlet
- R: Power Restart Condition
- LAN: LAN status
- Interface status LEDS per TIM

#### Mechanical data

- 44 x 440 x 240 mm
- Weight: 3.5 kg
- Rack-mountable (19" or ETSI) through optional rack-mount kit

#### Power Requirements

- Dual power supply AC/DC
- DC: -36 up to -72 V
- AC: 85 – 264 V, 47 – 63 Hz
- Power consumption: max. 15 W

